

Replacement Parts List

Notes: *Important safety notice: Components identified by Δ mark have special characteristics important for safety. Furthermore, special parts which have purposes of fire-retardant (resistors), high-quality sound (capacitors), low-noise (resistors), etc. are used.

Table with 4 columns: Ref. No., Part No., Part Name & Description, Remarks. Rows include integrated circuits (IC301, IC351, IC401, IC501), transistors (Q201, Q203, Q352, Q354, Q361, Q362, Q371, Q571, Q572, Q573, Q591, Q601, Q701, Q702, Q704), diodes (D351, D352, D361, D362, D371, D401, D601, D602, D611, D701, D704, D705, D712, D715, D754), variable resistors (VR401, VR601), and coils (L501, L701).

Table with 4 columns: Ref. No., Part No., Part Name & Description, Remarks. Rows include connectors (JK351, JK401, JK402, JK501, JK502, JK701, JK702), AC inlets (JK701, JK702), and a coil (L701).

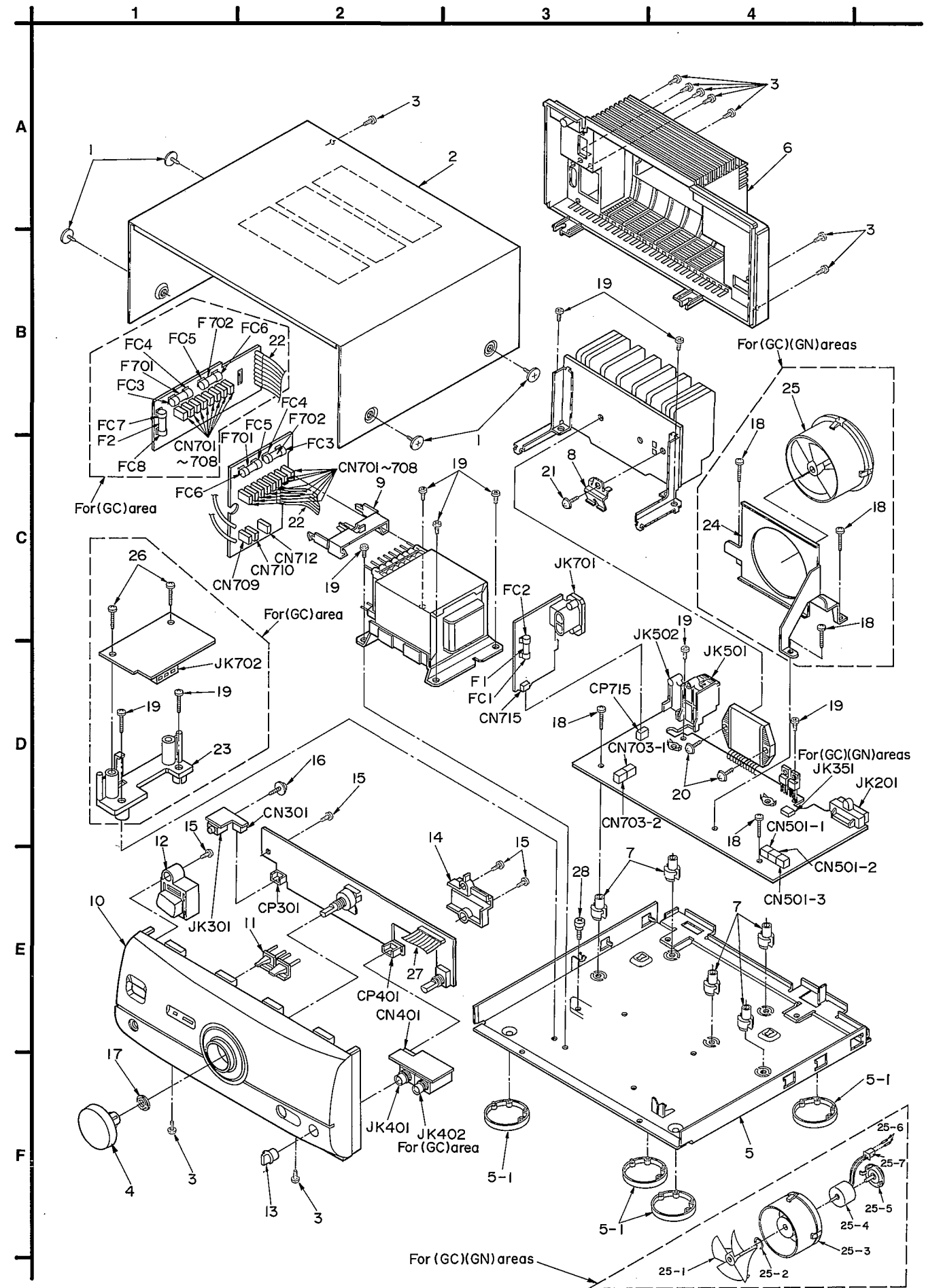
Notes: * Capacity values are in microfarads (μF) unless specified otherwise, P=Pico-farads (pF) F=Farads (F) * Resistance values are in ohms, unless specified otherwise, 1K=1,000 (OHM) , 1M=1,000k(OHM)

Table with 8 columns: Ref. No., Part No., Values & Remarks, Ref. No., Part No., Values & Remarks, Ref. No., Part No., Values & Remarks. Rows include resistors (R159, R217, R223, R251, R253, R255, R256, R259, R291, R301, R303, R305, R307, R309, R351, R352, R353, R354, R355, R356, R357, R358, R361, R362, R371) and capacitors (C509, C701, C702, C703, C704, C705, C706, C711, C712, C714, C731, C732, C905, C906, C1101, C1102, C1103, C1106).

Table with 8 columns: Ref. No., Part No., Values & Remarks, Ref. No., Part No., Values & Remarks, Ref. No., Part No., Values & Remarks. Rows include capacitors (C251, C301, C302, C303, C304, C305, C306, C307, C308, C351, C352, C353, C361, C362, C371, C381, C382, C395, C401, C402, C403, C404, C405, C406, C407, C408, C409, C410, C411, C412, C414, C415, C421, C501, C502, C503, C504, C505, C506, C507, C508, C509, C510, C511, C512, C513, C514, C515, C516, C571, C572, C591, C592, C593, C594) and other components (C701, C702, C703, C704, C705, C706, C711, C712, C714, C731, C732, C905, C906, C1101, C1102, C1103, C1106).

■ Cabinet Parts Location

Ref. No.	Part No.	Part Name & Description	Remarks	Ref. No.	Part No.	Part Name & Description	Remarks
		CABINET PARTS				PACKING MATERIALS	
1	RHD30007	SCREW		P1	RPG1719	PACKING CASE (SYSTEM)	(E) (EG)
2	RKM0202B-1K	CABINET		P1	RPG1735	PACKING CASE (SYSTEM)	(EB)
3	XTBS3+8JFZ1	SCREW		P1	RPG1740	PACKING CASE (SYSTEM)	(GC)
4	RGW0183-K	KNOB, MAIN VOLUME		P1	RPG1757	PACKING CASE (SYSTEM)	(GN)
5	RFKJECH404EK	BOTTOM BOARD ASS'Y	(E) (EB) (EG) (GN)	P2	RPG1314	PACKING CASE (CD/TUNER)	
5	RFKJECH404GC	BOTTOM BOARD ASS'Y	(GC)	P3	RPG1312	PACKING CASE (AMPLIFIER)	
5-1	RKA0011A-2	FOOT		P4	RPG1313	PACKING CASE (DECK)	
6	RFKHECH404EB	REAR GRILL ASS'Y	(EB)	P5	RPNO719	PAD (CD/TUNER)	
6	RFKHECH404EG	REAR GRILL ASS'Y	(EG)	P6	RPNO720	PAD (AMPLIFIER)	
6	RFKHECH404GC	REAR GRILL ASS'Y	(GC)	P7	RPNO721	PAD (DECK)	
6	RFKHECH404GN	REAR GRILL ASS'Y	(GN)	P8	XZB45X50A01Z	PROTECTION COVER	
6	RKF0331-K	REAR GRILL	(E)	P9	RPQF0047	ACCESSORY BOX	
7	RKQ0089	P. C. B. SPACER		P10	RPQ0244	SPACER	
8	FMCO158	TRANSISTOR HOLDER		P11	XZB22X20C03	PROTECTION COVER	
9	FMNO191	HOLDER				ACCESSORIES	
10	RFKGECH404EK	FRONT PANEL ASS'Y	(E) (EB) (EG) (GN)	A1	RAK-CH115WH	REMOTE CONTROL TRANSMITTER	
10	RFKGECH404GC	FRONT PANEL ASS'Y	(GC)	A1-1	RKK0057-K	BATTERY COVER	
11	RGL0210-Q	PANEL LIGHT		A2	REE0499	SPEAKER CORD	
12	RGU0939-K	BUTTON, POWER		A3	REX0511	FLAT CABLE (15P) (BLACK TYPE)	
13	RGW0178-K	KNOB, MIC		A4	REX0512	FLAT CABLE (15P) (WHITE TYPE)	
14	FMNO232	HOLDER		A5	RJA0019-2K	AC POWER SUPPLY CORD	△ (E) (EG) (GC) (SF)
15	XTBS26+8J	SCREW		A5	VJA0733	AC POWER SUPPLY CORD	△ (EB) (SF)
16	XTWS3+10T	SCREW		A5	RJA0036-K	AC POWER SUPPLY CORD	△ (GN)
17	SNE4021-1	NUT		A6	RFKSECH404EK	INSTRUCTIONS MANUAL	(E)
18	XTB3+20JFZ	SCREW		A6	RFKSECH404EB	INSTRUCTIONS MANUAL	(EB)
19	XTB3+8JFZ	SCREW		A6	RFKSECH404EG	INSTRUCTIONS MANUAL	(EG)
20	XTW3+15T	SCREW		A6	RQT2108-G	INSTRUCTIONS MANUAL	(GC)
21	XTW3+8T	SCREW		A6	RFKSECH404GN	INSTRUCTIONS MANUAL	(GN)
22	REZ0538	FLAT CABLE (J703)	(GC)	A7	RQA0013	WARRANTY CARD	(E) (EB) (EG)
22	REZ0606	FLAT CABLE (W703)	(E) (EB) (EG) (GN)	A7	RQX7433ZA	WARRANTY CARD	(GN)
23	FMNO190	P. C. B. SPACER	(GC)	A8	RQCB0169	SERVICE CENTER LIST	
24	FMNO215	FAN ANGLE	(GC) (GN)	A9	RSA0007	FM INDOOR ANTENNA	(E) (EB) (EG)
25	SYE1128-4	FAN ASS'Y	(GC) (GN)	A9	RSA0006	FM INDOOR ANTENNA	(GC) (GN)
25-1	SHE232	FAN	(GC) (GN)	A10	SPB1163T	AM LOOP ANTENNA	(E) (EB) (EG) (GN)
25-2	SUS271	SPRING	(GC) (GN)	A10	RSA0010	AM LOOP ANTENNA	(GC)
25-3	SHE233-1	FAN CASE	(GC) (GN)	A10-1	SMA233-1M	ANTENNA HOLDER	(E) (EB) (EG) (GN)
25-4	MDN-4RB4MRC	MOTOR	(GC) (GN)	A10-1	FMNO244	ANTENNA HOLDER	(GC)
25-5	SHE234	CAP	(GC) (GN)	A10-2	XTN3+10AFZ	SCREW	(E) (EB) (EG) (GN)
25-6	SJT783	TERMINAL	(GC) (GN)	A10-2	XTN3+12AFZ	SCREW	(GC)
25-7	SJS215	CONNECTOR (2P)	(GC) (GN)	A11	SJP9009	ATTACHMENT PLUG	△ (EB)
26	XTB3+12JFZ	SCREW	(GC)	A12	SJP5213-2	POWER PLUG ADAPTOR	△ (GC)
27	REZ0608	FLAT CABLE (W501)					
28	RHD30032	SCREW	(E) (EB) (EG) (GN)				



924

■ Packaging

